

301 N Marengo Ave

Park Elementary Playfield Renovation

- ① Backflow Preventer
- ② GALCON "Cyber-Rain" Irrigation Controller

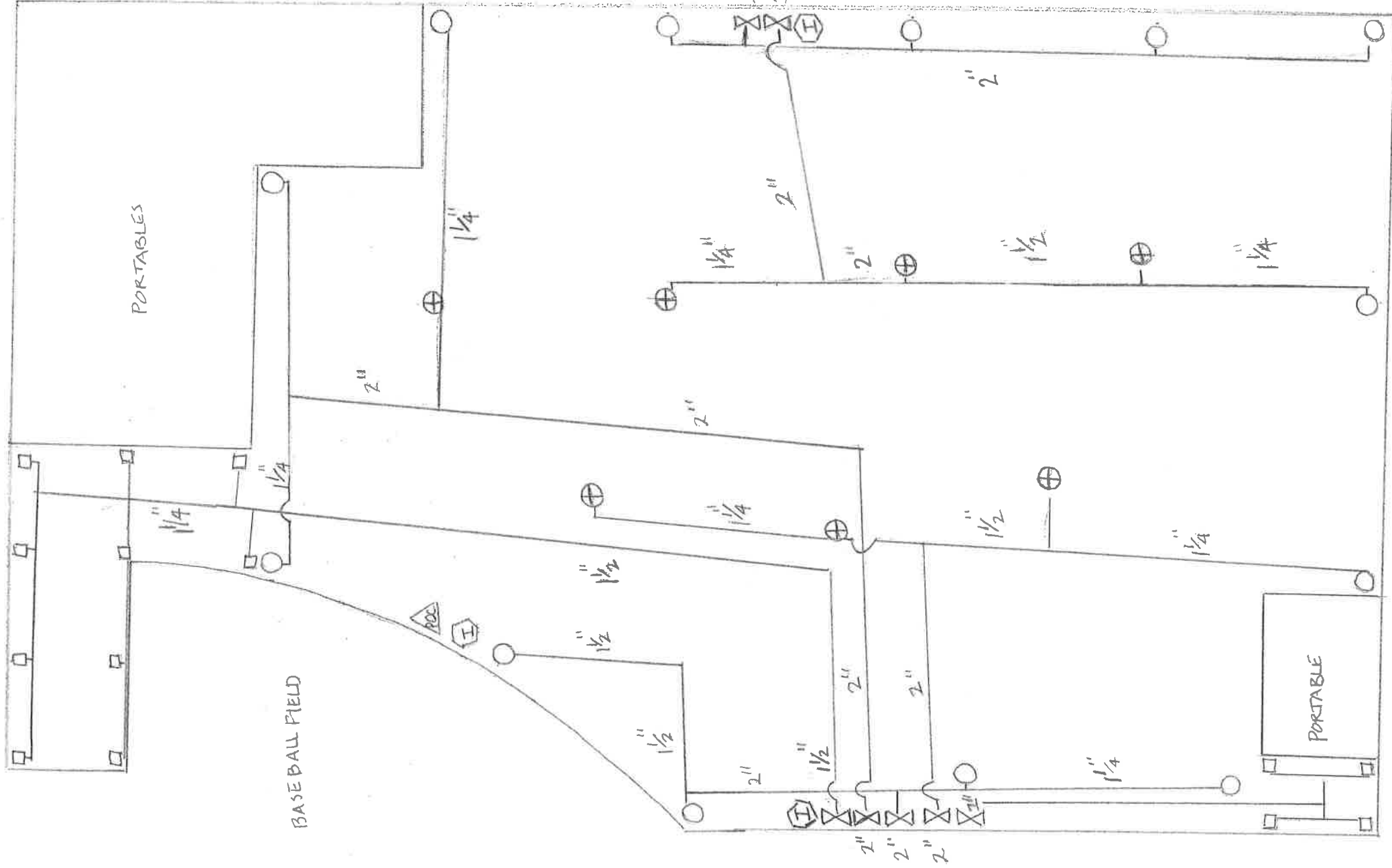
EXHIBIT A



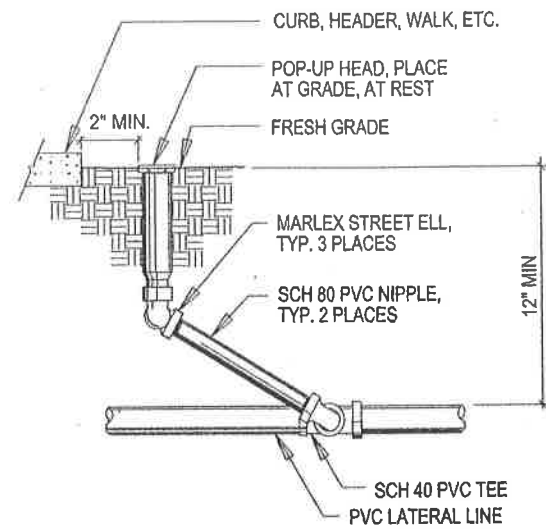
Park E.S. Playfield Irrigation

KEY: Scale: NTS

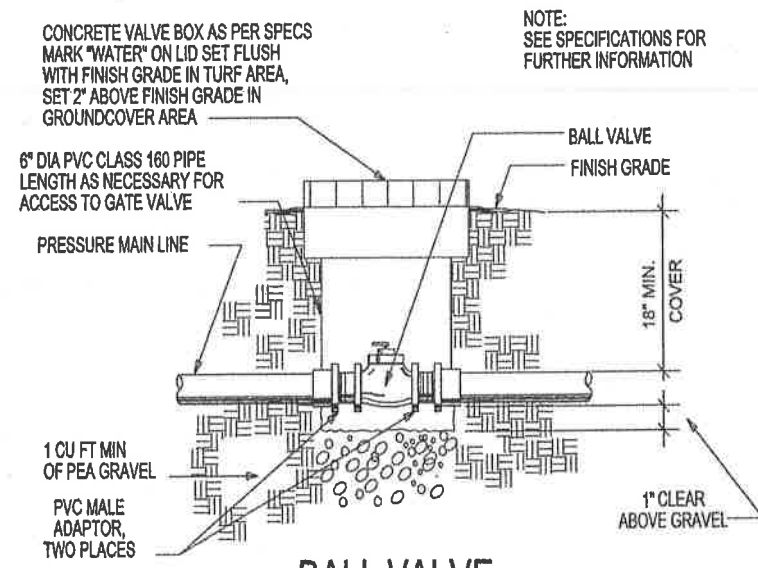
	Hunter I-40 SS
	Hunter I-20 SS
	Isolation Valve 2"
	Superior 950 Brass Valve
	POC 2" Backflow



L-101 IRRIGATION DESIGN

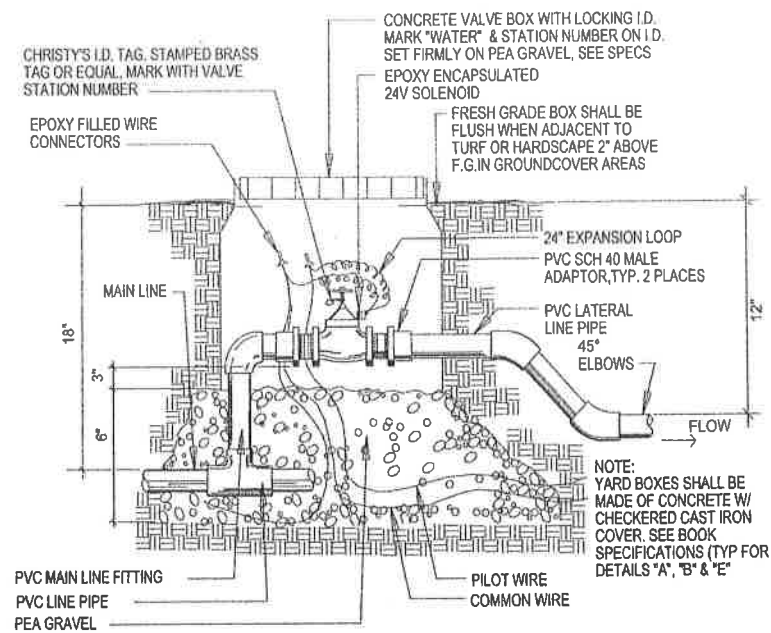


POP-UP SPRINKLER HEAD

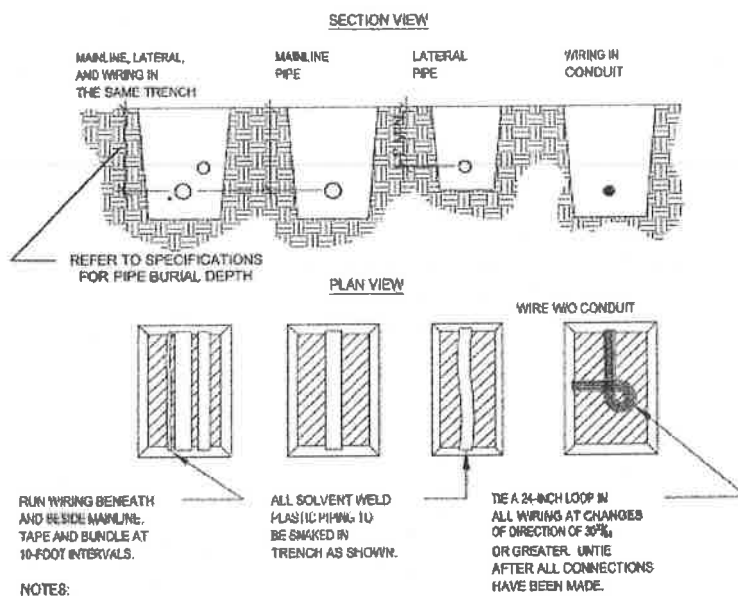


BALL VALVE

L-102 Details



REMOTE CONTROL VALVE



NOTES:

1. SLEEVE BELOW ALL HARDSCAPE ELEMENTS WITH SCH 40 PVC TWICE THE DIAMETER OF THE PIPE OR WIRE BUNDLE WITHIN.
2. FOR PIPE AND WIRE BURIAL DEPTHS SEE SPECIFICATIONS.
3. REFER TO STANDARD SPECIFICATION NO. 1760 FOR PIPE AND WIRE BURIAL DEPTHS UNDER PAVEMENT.

PIPE AND WIRE TRENCHING

L-103 Details