

KAMILOIKI ELEMENTARY SCHOOL
2018-2019 SY School Supply List

Grades K-2

Please label all items w/student's name (including each crayon, pencil and pen).
Except items with an asterisk (*)

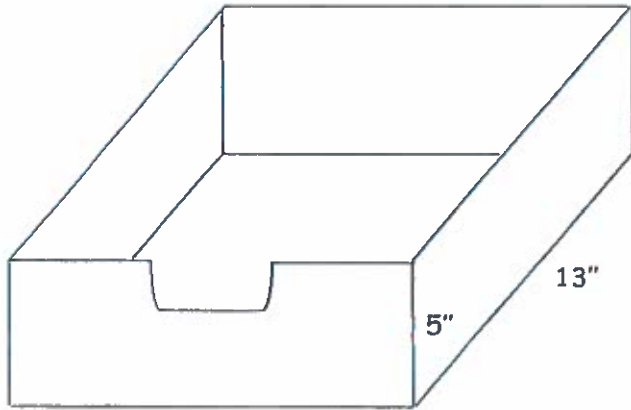
GRADES		K	1	2
Apron or Old Shirt		1	1	1
Binder	1" White with Clear Front View	1	1	1
Box For Cubby	No Larger than 8.5" x 13" X 5 "	1	1	1
Box For Desk	Juice or Soda size box	1	1	
Clothes (extra set)		1	1	1
Composition Tablet (Unlined)			1	
Composition Tablet	Wide ruled, sewn	1	1	5
Composition Tablet w/Primary Lines	Primary Journal (Fisher Hawaii)	2	1	
Crayons	24 color, regular (Crayola brand)	3	2	1
Disinfecting Wipes*	NOT WET ONES OR BABY WIPES	1		1
Eraser	Large (white)	3	2	2
Extra Pair Slippers		1	1	1
Facial Tissue *	Large box	1		1
Glue (Elmer's preferred)	4 oz., white	3	2	1
Glue Stick	Large	2	2	
Homework Folder	Payment of \$2.00 (Due to teacher 1st day)	1	1	
Liquid Soap *			1	1
Liquid Soap *Kindergarten Only	Kindergarten (Last Name A- M)	1		
Paper Towel * Kindergarten Only	Kindergarten (Last Name N-Z)	1		
Paper Towel*			1	1
Pen (Ballpoint)	Red			2
Pen (Sharpie)	Black (Ultra Fine)	3	2	5
Pen (Sharpie)	Black (Fine)	2	2	1
Pencil or School Box	Dimensions Approx. 8.5"LX5.5"W X2"H	2	1	1
Pencils, Colored	12 pack	2	1	2
Pencils (Lead)	# 2 (SHARPENED)	24	24	36
Markers (Crayola Classic)	Felt-Tipped (Broad) CLASSIC COLORS	1	1	1
Portfolio (Not Trappers)	2— Pocket		1	2
Portfolio (w/3 - Prongs)	2 - Pocket		1	
Ruler	1/16" + centimeter		1	
Scissors	6" (lefty if left handed)	1	1	
Student Planner \$5.00 Cash	Payment due Aug. 4 or 1st Day of School	1	1	1
Watercolor Set	CRAYOLA Brand (Primary Colors) Not Pastel	1	1	1
Flutophone (Not a Recorder)				1
Cray Pas Oil Pastels	16-Pack			1

KAMILOIKI ELEMENTARY SCHOOL
HONOLULU, HAWAII

BOX (for cubby)
for Grades K, 1, 2, 3, 4 students

Below is a sketch of cardboard box requested
(note slot in front).

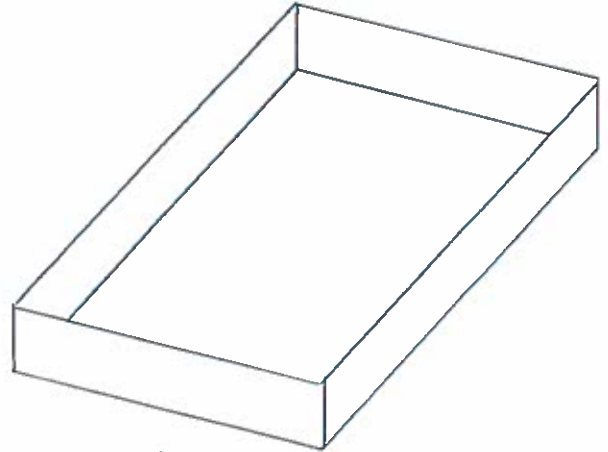
Measurements are approximations, but shouldn't be
much larger than specified.



Note slot in
front

BOX (for desk)
for Grades K, 1 students

Below is a picture of the type of soda box
requested.



cover one
end

If possible, cover box with wrapping or contact paper and label
the front of the box with your child's first and last name.

Please label all items w/student's name (including each crayon, pencil and pen). Except items with an asterisk (*)

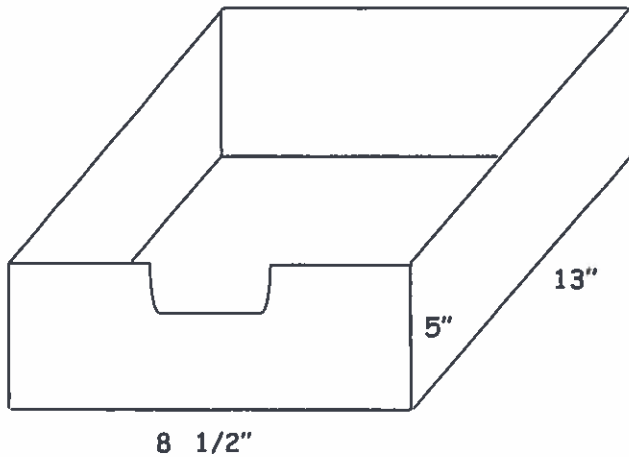
GRADES		3	4	5
Student Planners (due to teacher on 1st day)	Payment of \$5.00 (Cash Only)	1	1	1
Accordion Folder	8 1/2 x 11 6 pocket		1	
Binder	1" White with Clear View in Front	2	1	2
Box (soda /cardboard)	(see back)			
Composition Tablet (1-Unruled Tablet-Gr. 4)	College Ruled, sewn	5	5	5
Crayons (CRAYOLA)	24 color, regular	1	1	1
Disinfecting Wipes		2	1	1
Eraser	Large (white)	2	1	1
Expo Markers	Felt-tipped (Broad)	4	8	8
Facial Tissue *	Large box	1	1	2
Flash Drive			0	1
Folder Paper *	3 hole, College Ruled, large pack	1	0	0
Glue (Elmer's preferred)	4 oz., white	1	1	1
Glue	Stick	3	3	1
Graph Paper	4 sq. to 1"		0	0
Highlighter		2	2	2
Index Dividers	5 - Tabs	1	1	
Liquid Soap *		1	1	1
Manila Folder *	Letter size			
Paper Towel *		1	2	1
Pen (Ballpoint)	Erasable, blue or black	2	2	2
Pen (Ballpoint)	Red	2	2	2
Pen (Sharpie)	Black (Extra Fine)	3	2	2
Pen (Sharpie)	Black (Fine)	3	1	2
Pencil Sharpener	Hand		1	1
Pencil or School Box		1	1	1
Pencils, Colored	24 pack	1	1	1
Pencils (Lead)	# 2 (sharpened) (Ticonderoga)	24	24	24
Pens (8 Color) Markers	Felt - tipped (Broad) CRAYOLA Classic	1	1	1
Pens (8 Color) Markers	Felt - tipped (Fine) CRAYOLA Classic	1	1	1
Portfolio (Not Trappers)	2 - Pocket 3-hole (Plastic)	5	2	2
Portfolio (w/3 - Prongs)	2 - Pocket	3	3	6
Protractor		1	1	
Recorder	Baroque (Musical Instrument)	1		
Ruler(inches & centimeters) (NOT RUBBER)	1/16" + centimeter	1	1	1
Scissors	6" (lefty if left handed)	1	1	1
Tape	Magic Mending 3.4"	1	1	2
Tape (Scotch)	Double Stick Permanent Tape	2		
T-Shirt (Kamiloiki T-Shirt)				1
Watercolor Set		1	1	1
White Board (small) and White Board Eraser				1
Painters Tape	1" width	1	1	1
Where the Mountain Meets the Moon	Paper Back Novel by Grace Linn		1	
Crapas Oil Pastels (16 Colors)		1	1	

KAMILOIKI ELEMENTARY SCHOOL
HONOLULU, HAWAII

BOX (for cubby)
for Grades K, 1, 2,3, 4 students

Below is a sketch of cardboard box requested
(note slot in front).

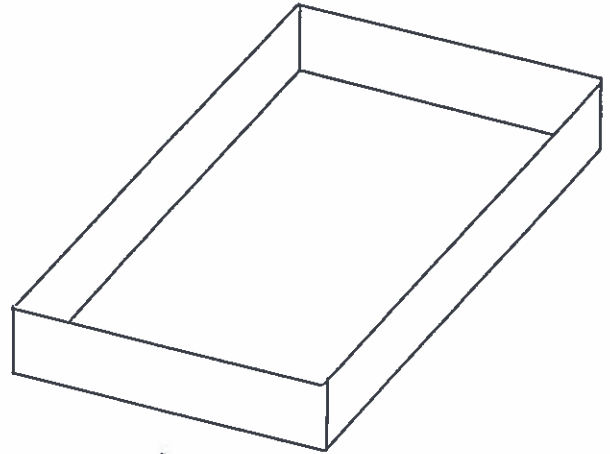
Measurements are approximations, but shouldn't be
much larger than specified.



Note slot in
front

BOX (for desk)
for Grades K, 1 students

Below is a picture of the type of soda box
requested.



cover one
end

If possible, cover box with wrapping or contact paper and label
the front of the box with your child's first and last name.