

Baker #5

REQUEST FOR SUBSTITUTION AT TIME OF BID

Pursuant to Public Contract Code section 3400, bidder submits the following request to Substitute with the bid that is submitted. I understand that if the request to substitute is not “an/or equal” or is not accepted by District and I answer “no” I will not provide the specified item, then I will be held non-responsive and my bid will be rejected. With this understanding, I hereby request Substitution of the following articles, devices, equipment, products, materials, fixtures, patented processes, forms, methods, or types of construction:

	Specification Section	Specified Item	Requested Substituted Item	Contractor Agrees to Provide Specified Item if request to Substitute is Denied ¹ (circle one)	District Decision (circle one)
1.	26 51 00 2.1.2	PHILIPS, SYLVANIA	VALRYIA VA-TPL-14 & 22	<input checked="" type="radio"/> Yes No	Grant <input checked="" type="radio"/> Deny
2.	26 51 00 2.1.1	PHILIPS, SYLVANIA	ALEO SLTR- 24 & 22	<input checked="" type="radio"/> Yes No	<input checked="" type="radio"/> Grant Deny
3.	26 51 00 2.1.1	PHILIPS, SYLVANIA	VALRYIA VA-TR-22 & 24	<input checked="" type="radio"/> Yes No	Grant <input checked="" type="radio"/> Deny
4.	26 51 00 2.1.1	PHILIPS, SYLVANIA	EATON 24CZRK LD4 40 UNV	<input checked="" type="radio"/> Yes No	Grant <input checked="" type="radio"/> Deny
5.	26 51 00 2.2.B	DECO, LITHONIA	ALEO LWE 4 L 8 40 0-10	<input checked="" type="radio"/> Yes No	<input checked="" type="radio"/> Grant Deny
6.	26 51 00 2.2.B	DECO, LITHONIA	VALRYIA VA-SL-4 & 8	<input checked="" type="radio"/> Yes No	Grant <input checked="" type="radio"/> Deny
7.	26 56 00 2.1B	DECO, RAB, SYLVANIA	LEDONE LOD-MWP-26W40K	<input checked="" type="radio"/> Yes No	Grant <input checked="" type="radio"/> Deny
8.	26 56 00 2.1E	DECO, RAB, SYLVANIA	ALEO LCP-20-40K-OSDL/HF	<input checked="" type="radio"/> Yes No	<input checked="" type="radio"/> Grant Deny
9.	26 56 00 2.1E	DECO, RAB, SYLVANIA	SYLVANIA 74264 (NO PC)	<input checked="" type="radio"/> Yes No	Grant <input checked="" type="radio"/> Deny
10.	26 56 00 2.1E	DECO, RAB, SYLVANIA	HOWARD GL-A-40K-MV-W	<input checked="" type="radio"/> Yes No	Grant <input checked="" type="radio"/> Deny
11.	26 56 00 2.1E	DECO, RAB, SYLVANIA	WESTGATE CDL2-80NW-4000K	<input checked="" type="radio"/> Yes No	Grant <input checked="" type="radio"/> Deny
12.	26 56 00 2.1C	DECO, RAB, PHILIPS	ESL-AL-75W-1-50-BZ-PC-DD-5P	<input checked="" type="radio"/> Yes No	Grant <input checked="" type="radio"/> Deny

¹ Bidder must state whether bidder will provide the Specified Item in the event the Substitution request is evaluate and denied. If bidder states that bidder will not provide the Specified Item the denial of a request to Substitute shall result in the rejection of the bidder as non-responsive. However, if bidder states that bidder will provide the Specified Item in the event that bidder’s request for Substitution is denied, bidder shall execute the Agreement and provide the Specified Item(s). If bidder refuses to execute the Agreement due to the District’s decision to require the Specified Item(s) at no additional cost, bidder’s Bid Bond shall be forfeited.



Project	
Notes	
Type	Date
Cat. No. SLTR-22-LE-23-8-40-HD	

SLTR™ XE Series

Slim LED Troffer Retrofit Kit

DESCRIPTION

The Aleo SLTR™ XE Series Slim Troffer Retrofit Kit delivers industry-leading performance with deep energy savings and continuous dimming. Easy and quick installation reduces labor cost and optimizes ROI. The retrofit kit eliminates the need to replace existing luminaire housing, which reduces install time and disposal/removal costs. The precision-formed diffuser produces comfortable and pleasant illumination, enhancing productive spaces in various applications.



APPLICATIONS

Provides architectural aesthetics for retail, schools, offices, healthcare, and other various commercial applications.

Specification Features

Construction

Simple construction with minimal parts allows for easy handling and installation. Luminaire features matte white durable finish.

Optical System

Reflector systems features highly reflective coating and delivers balanced, comfortable illuminance for productive spaces. Diffuser lens reduces glare and improves occupant comfort while maintaining high efficiency emission.

Certification

UL Classified. All components have UL certification. UL Class 2. Driver: SCP, OTP, OVP protection, FCC Part 15 Class B, UL8750 Class 2. DLC Premium

Warranty

7-year Limited Warranty. See warranty documentation for more information.

Electrical

Luminaire utilizes high-efficacy LED packages maintained at cool temperatures for long life, high efficacy. Reliable driver features continuous dimming. Universal voltage (120-277V) for convenient installation. Comes equipped with luminaire quick-disconnect.

Installation / Mounting

Installs in most troffer luminaires. Retrofit kit fits within troffer and ceiling T-bar grid, eliminating need to remove existing fixture housing.

Controls / Dimming

Continuous dimming (0-10V) comes standard. Suitable for use with dimmers, sensors, daylight harvesting and other control strategies to achieve deeper energy-savings and code compliance.



SLTR Series

2x4 33W
2x2 23W

Rated Life 75,000 hours
Limited Warranty 7-years
Efficacy Up to 126 LPW
Continuous Dimming



Quick Ship
SLTR-24LE-33/840 XE G3-HD
SLTR-22LE-23/840 XE G3-HD

Ordering Information

Example: SLTR-22LE-23/840 XE G3-HD

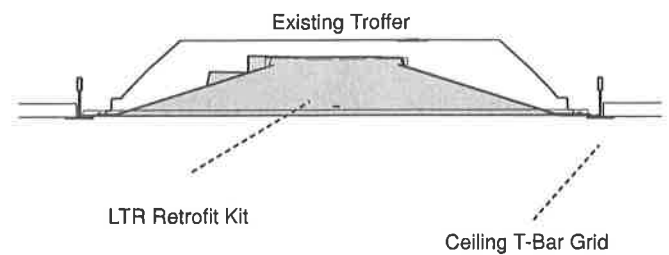
SLTR	22	LE	23	8	40	HD	[Blank]	
Series	Form Factor	Lumen Package		Nominal Wattage	CRI	Color Temp	Design	Input Voltage
SLTR Slim LED Troffer Retrofit Kit	24 2'x4' 22 2'x2'	LE Low Wattage		2'x4' 33 33W 2'x2' 23 23W	8 83+	40 4000K	HD Hinged Door Design	Blank 120V-277V
						[Blank]	Options	
						Dimming Blank 0-10V Continuous Dimming	Emergency Backup EM700 700lm EM1400 1400lm	

Specifications and Dimensions subject to change without notice.

Performance Summary

Input Voltage	120V-277V
Input Frequency	50/60 Hz
Rated Wattage	See Performance Table
Delivered Lumens	See Performance Table
Efficacy	> 126 LPW (typ.)
CRI	83+, R9 > 0
Available CCT ¹	4000K, 5000K
Color Consistency ²	5-step MacAdam Ellipse
Rated Life	75,000 hours
L70 ³	> 72,000 hours
Power Factor	> 0.9
THD	< 20%
Dimming	0-10V Continuous (10-100%)
Operating Temp	-20°C to 50°C

Mounting Information



Performance Data

Form Factor	Catalog No.	Rated Wattage (W)	Tested Wattage (W)	4000K		5000K ¹	
				Delivered Lumens (lm)	Efficacy (lm/W)	Delivered Lumens (lm)	Efficacy (lm/W)
2' x 4'	SLTR-24LE-33 XE G3-HD	33	30.7	4158	126	4191	127
2' x 2'	SLTR-22LE-23 XE G3-HD	23	21.9	2875	126	2921	127

DLC QPL Data

QPL Model No.	Product ID	Technical Req.	Classification	Primary Use
SLTR-24LE-33/840 XE G3-HD	PLB9BNZEK00X	4.3	Premium	Integrated Retrofit Kits for 2x4 Luminaires
SLTR-24LE-33/850 XE G3-HD	PLC56BMRYWRT	4.3	Premium	Integrated Retrofit Kits for 2x4 Luminaires
SLTR-22LE-23/840 XE G3-HD	PL2PE0FDIKUD	4.3	Premium	Integrated Retrofit Kits for 2x2 Luminaires
SLTR-22LE-23/850 XE G3-HD	PLFU6Z9K9YVP	4.3	Premium	Integrated Retrofit Kits for 2x2 Luminaires

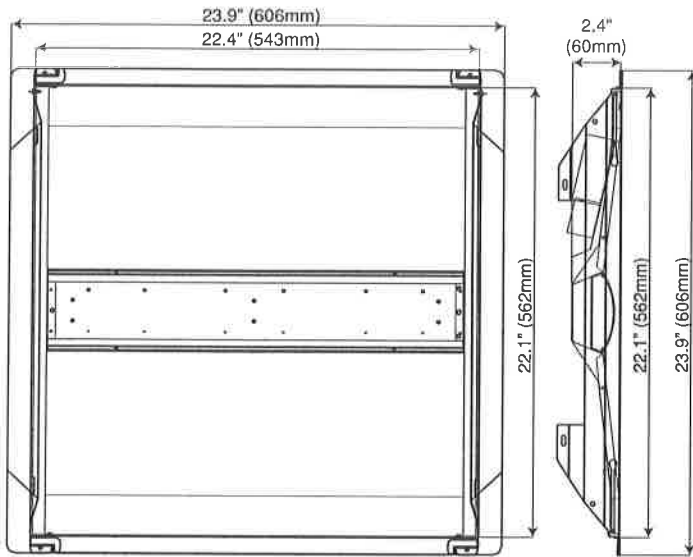


NOTES:

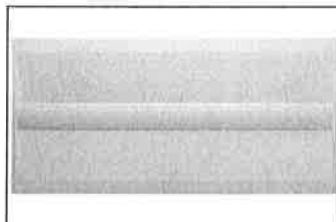
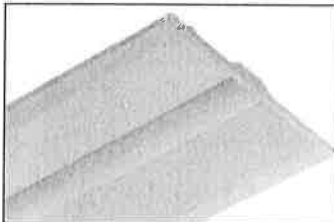
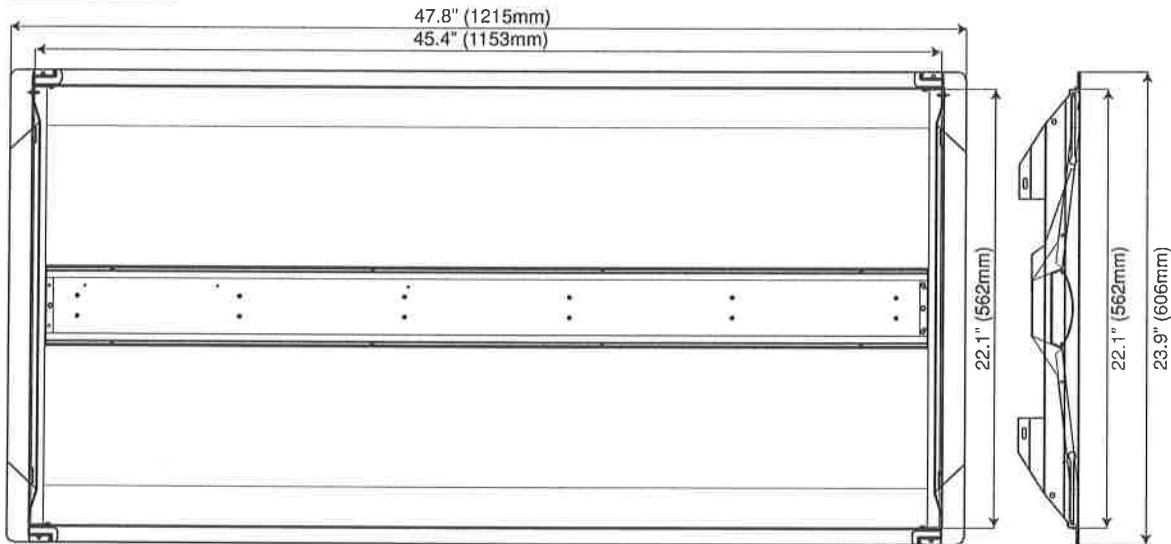
- ¹ Quick ship: 4000K. Other CCTs may require a lead time or be special order
- ² Typical color consistency. May vary or be changed.
- ³ L70 hours calculated based on LED package manufacturer LM80 report and ISTMT report of LED in luminaire. Stated values are for select catalog numbers.

Product Dimensions

SLTR-22



SLTR-24



aleo™
LED LIGHTING

© 2018 Aleo Lighting, Inc. All rights reserved. For informational purposes only. Reproduction in whole or part is prohibited without prior written consent of the copyright owner. The information presented in this document does not form part of any quotation or contract, is believed to be accurate and reliable and may be changed without notice. No liability will be accepted by the publisher for any consequences of its use. Aleo Lighting reserves the right to make changes in specification at any time without notice.

Aleo Lighting, Inc.
www.aleoighting.com
13924 Bettencourt St.
Cerritos, CA 90703
Ph: 877-358-8825



Project	
Notes	
Type	Date
Cat. No.	

LWE™ Series LED Economy Utility Wrap Luminaire

DESCRIPTION

The Aleo LWE™ Series Economy Utility Wrap Luminaire delivers industry-leading value with deep energy savings and continuous dimming. Low profile design offers easy handling and storage. This versatile luminaire produces energy-efficient, comfortable illumination for a myriad of applications.

APPLICATIONS

Excellent for general utility applications: storage closets, restrooms, hallways, corridors, stairwells.



LWE Series
4' 42W

Rated Life 75,000 hours
Limited Warranty 7-years
Efficacy Up to 105 LPW
Continuous Dimming



Quick Ship
LWE-4L/840 ECO



Specification Features

Construction

Modular LED and driver allows for serviceability and maintenance. Luminaire features matte white durable finish. Diffuser requires no additional frame or fastener for easy installation.

Optical System

Reflector systems features highly reflective coating and delivers balanced, comfortable illuminance for productive spaces. Diffuser lens reduces glare and improves occupant comfort while maintaining high efficiency emission.

Certification

UL Listed. All components have UL certification. UL Class 2. Driver: SCP, OTP, OVP protection, FCC Part 15 Class B, UL8750 Class 2, DLC Standard

Warranty

7-year Limited Warranty. See warranty documentation for more information.

Electrical

Luminaire utilizes high-efficacy LED packages maintained at cool temperatures for long life, high efficacy. Universal voltage (120-277V) for convenient installation. Comes equipped with luminaire quick-disconnect.

Installation / Mounting

Luminaire back housing includes holes and slots for various mounting methods.

Controls/Dimming

Continuous dimming (0-10V) comes standard. Suitable for use with dimmers, sensors, daylight harvesting and other control strategies to achieve deeper energy-savings and code compliance.

Ordering Information

Example: LWE-4L/840 ECO

LWE	4	L	8	40	[Blank]	[Blank]	Options
Series	Form Factor	Lumen Package	CRI	Color Temp	Input Voltage	Dimming	Emergency Backup
LWE LED Economy Utility Wrap Luminaire	4 4'	L Low Wattage (42W)	8 83+	40 4000K	Blank 120V-277V	Blank 0-10V Continuous Dimming	EM700 700lm EM1400 1400lm EM2000 2000lm

Specifications and Dimensions subject to change without notice.

Performance Summary

Input Voltage	120V-277V
Input Frequency	50/60 Hz
Rated Wattage	See Performance Table
Delivered Lumens	See Performance Table
Efficacy	> 105 LPW (typ.)
CRI	83+, R9 > 0
Available CCT ¹	4000K,
Color Consistency ²	5-step MacAdam Ellipse
Rated Life	75,000 hours
L70 ³	> 72,000 hours
Power Factor	> 0.9
THD	< 20%
Dimming	Continuous Dimming
Operating Temp	-20°C to 50°C

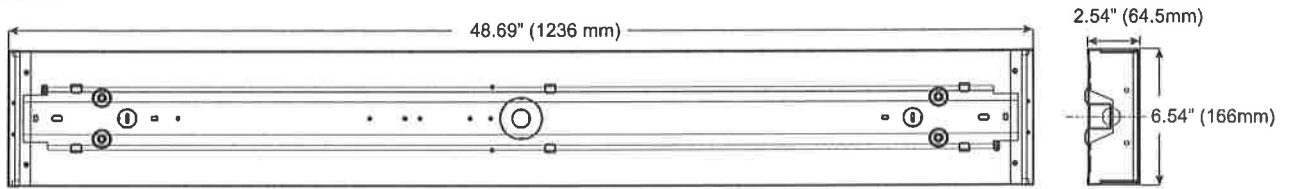


Performance Data

Form Factor	Catalog No.	Rated Wattage (W)	4000K	
			Delivered Lumens (lm)	Efficacy (lm/W)
4	LWE-4L ECO	42	4410	105

Product Dimensions

LWE-4



DLC QPL Data

QPL Model No.	Product ID	Technical Req.	Classification	Primary Use
LWE-4L/840 ECO	PL0HV6GF84VU	4.2	Standard	Direct Linear Ambient Luminaires
LWE-4L/850 ECO	PL3RGATNL64F	4.2	Standard	Direct Linear Ambient Luminaires



NOTES:

- ¹ Quick ship: 4000K. Other CCTs may require a lead time or be special order
- ² Typical color consistency. May vary or be changed.
- ³ L70 hours calculated based on LED package manufacturer LM80 report and ISTMT report of LED in luminaire. Stated values are for select catalog numbers. Contact manufacturer for detailed information

© 2017 Aleo Lighting, Inc. All rights reserved. For informational purposes only. Reproduction in whole or part is prohibited without prior written consent of the copyright owner. The information presented in this document does not form part of any quotation or contract, is believed to be accurate and reliable and may be changed without notice. No liability will be accepted by the publisher for any consequences of its use.

Specifications and Dimensions subject to change without notice.



Aleo Lighting, Inc.
 www.aleoighting.com
 13924 Bettencourt St.
 Cerritos, CA 90703
 Ph: 877-358-8825



Project	
Notes	
Type	Date
Cat. No.	

LCP™ XE Series **LED Square Canopy Luminaire**

DESCRIPTION

The Aleo LCP™ Series, LED Square Canopy Luminaire combines energy-efficiency, low-glare optics, and simple slim profile aesthetics to deliver enhanced performance to a range of surface-mount and recessed lighting applications. Mounting plate allows for quick and easy installation. Weather-proof compartment to withstand challenging environments.

APPLICATIONS

Covered walkways, drive-thrus, semi-covered outdoor aisles, corridors, building canopies, large stairwells. Covers recessed openings for surface mount application. Perfect for school campuses.



LCP Series

10W, 20W

Rated Life 75,000 hours
Limited Warranty 7-years
Efficacy Over 110 LPW

Quick Ship

LCP-10/50K XE
LCP-20/50K XE



Specification Features

Construction

Simple, white finish powder-coated housing with advanced thermal management system ensures reliability and durability.

Optical System

Prismatic, square drop lens comes standard. Lens system improves safety and security by delivering high-efficiency illumination with low glare, comfortable illumination.

Certification

ETL Listed. DLC Premium

Warranty

7-year Limited Warranty. See warranty documentation for more information.

Electrical

Luminaire utilizes high-efficacy LED packages maintained at cool temperatures for long life, high efficacy. Reliable driver features universal voltage (120-277V) for convenient installation.

Installation / Mounting

Luminaire comes standard with mounting plate for quick and easy installation. Can be mounted directly to surface junction box or surface mounted via keyhole slots on mounting plate. Covers existing 12" x 12" recessed square opening.

Controls / Dimming

Continuous dimming (0-10V) for 20W. Suitable for use with dimmers, sensors, daylight harvesting and other control strategies to achieve deeper energy-savings and code compliance.

Ordering Information

Example: LCP-10/50K XE

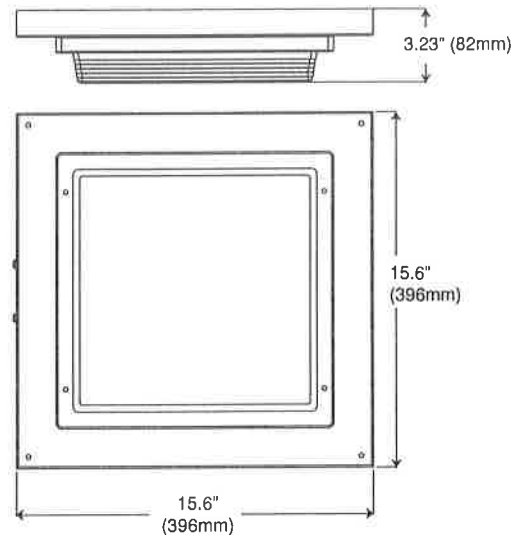
LCP	10	50K	[Blank]	[Blank]
Series	Nominal Wattage		Color Temp	Input Voltage
LCP	10 10W	40K* 4000K	Blank	Controls OSDL/HF Multi-Level High Frequency Occupancy Sensor
LED Square Canopy Luminaire	20 20W	50K 5000K	120V-277V	
		* CCT 4000K is not Quick Ship		

Specifications and Dimensions subject to change without notice.

Performance Summary

Input Voltage	120V-277V
Input Frequency	50/60 Hz
Rated Wattage	See Performance Table
Delivered Lumens	See Performance Table
Efficacy	> 110 LPW (typ.)
CRI	70+, R9 > 0
Available CCT ¹	4000K, 5000K
Rated Life	50,000 hours
Power Factor	> 0.9
THD	< 20%
Operating Temp.	-20°C to 50°C

Product Dimensions

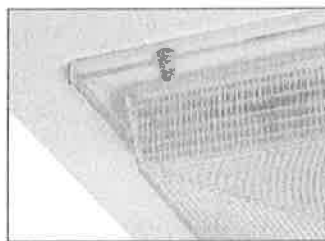
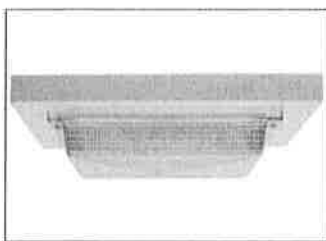


Performance Data

Catalog No.	Rated Wattage (W)	Tested Wattage (W)	4000K		5000K	
			Delivered Lumens (lm)	Efficacy (lm/W)	Delivered Lumens (lm)	Efficacy (lm/W)
LCP-10	9.7	9.89	1135.9	115.74	1186	121.38
LCP-20	18	18.86	2205.6	120.79	2360	131.11

DLC QPL Data

QPL Model No.	Product ID	Technical Req.	Classification	Primary Use
LCP-10/40K XE	PLQEJWK1A16D	4.3	Premium	Stairwell and Passageway Luminaires
LCP-10/50K XE	PLNLQ0RGAVGU	4.3	Premium	Stairwell and Passageway Luminaires
LCP-20/40K XE	PLYMMB5N8GGC	4.3	Premium	Stairwell and Passageway Luminaires
LCP-20/50K XE	PLK2XA2JYBQD	4.3	Premium	Stairwell and Passageway Luminaires



aleo™
LED LIGHTING

© 2018 Aleo Lighting, Inc. All rights reserved. For informational purposes only. Reproduction in whole or part is prohibited without prior written consent of the copyright owner. The information presented in this document does not form part of any quotation or contract, is believed to be accurate and reliable and may be changed without notice. No liability will be accepted by the publisher for any consequences of its use. Aleo Lighting reserves the rights make changes in specification at any time without notice.

Aleo Lighting, Inc.
www.aleolighting.com
13924 Bettencourt St.
Cerritos, CA 90703
Ph: 877-358-8825

Specifications and Dimensions subject to change without notice.